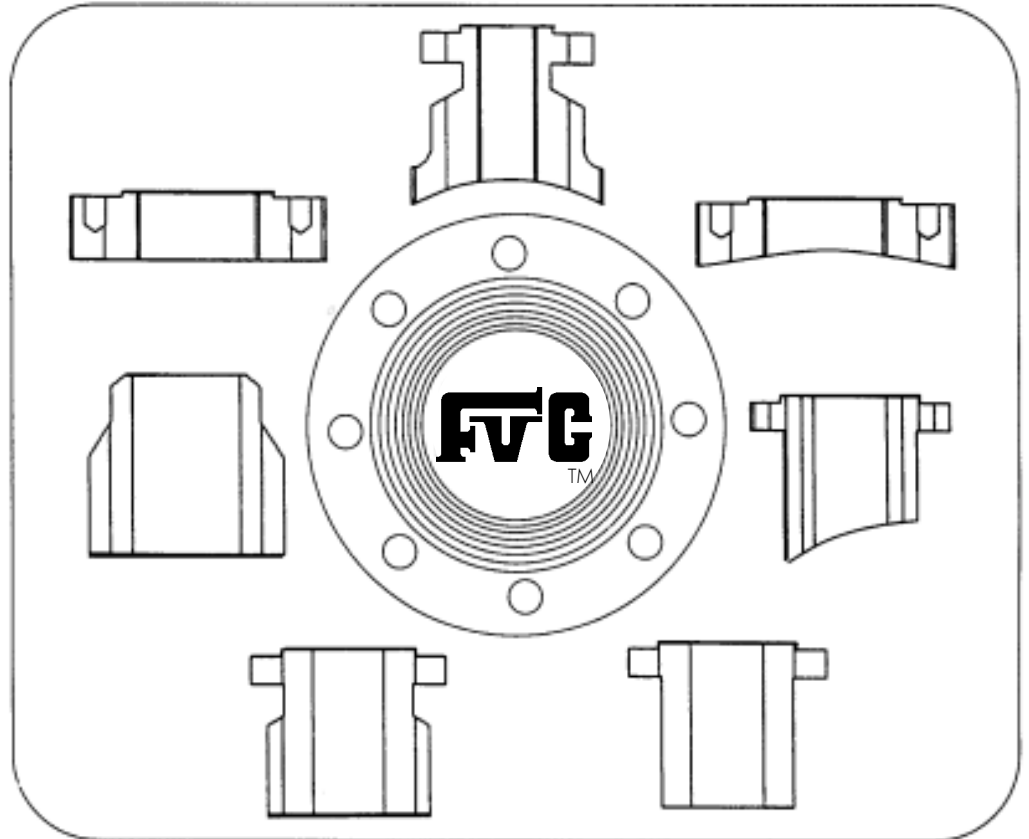




LIST PRICES

Forged Vessel Connections

an AMERI-FORGE GROUP company



**CORPORATE
HEADQUARTERS
AND SALES OFFICES:**

2525 DESOTO ST.
HOUSTON, TX 77091
1-800-231-2701
1-713-688-9705
FAX: 1-713-688-7954
FAX: 1-713-688-7518
FAX: 1-713-688-1846

WEB PAGE:

<http://www.fvc.cc>

E-MAIL:

sales@fvc.cc

MAILING ADDRESS:

P. O. BOX 38421
HOUSTON, TX 77238-8421

Terms and conditions:

- A. All prices are F.O.B. Houston, Texas.
- B. Mill Test Reports (Chemical & Physical Properties) on price schedule items at No Charge.
- C. Standard SA350-LF2 Test using previous results at No Charge.
- D. Special testing on application
- E. Cash Discount 1% - 10 net 30 days.
- F. Currency U.S.D.
- G. For terms and warranty conditions see our web page: www.fvc.cc
- H. Minimum order value of \$150 per order.
- I. Consult factory for pricing on V1, V2, V3 and F Nozzles.

FVC V1, V2, V3 and F are trademarks of Forged Vessel Connections.

Price schedule effective May 11, 2006

Long Welding Necks RF & D

Material: SA 105

Less Than	Cutting Charge extra	150-300# Norm. extra	150#	300#	600#	900#	1500#	2500#
1 X 9	\$30	\$30	\$104	\$111	\$134	\$200	\$200	\$385
1 x 7	\$30	\$30	\$101	\$106	\$127	c/f	c/f	c/f
1 x 9	\$30	\$30	\$104	\$111	\$134	\$195	\$195	\$385
1 x 12	\$30	\$30	\$129	\$137	\$147	\$256	\$256	\$468
1 x 14	\$30	\$30	\$170	\$182	\$202	\$339	\$339	\$536
1 x 16	\$30	\$30	\$238	\$273	\$296	\$405	\$405	\$589
1 x 18	\$30	\$30	\$299	\$326	\$352	\$483	\$483	\$688
1 1/4 x 9	\$30	\$30	\$139	\$147	\$170	\$316	\$316	\$541
1 1/2 x 7	\$30	\$30	\$114	\$127	\$142	c/f	c/f	c/f
1 1/2 x 9	\$30	\$30	\$132	\$139	\$159	\$296	\$296	\$546
1 1/2 x 12	\$30	\$30	\$149	\$162	\$180	\$347	\$347	\$635
1 1/2 x 14	\$30	\$30	\$205	\$213	\$253	\$407	\$407	\$708
1 1/2 x 16	\$30	\$30	\$271	\$311	\$349	\$488	\$488	\$756
1 1/2 x 18	\$30	\$30	\$342	\$367	\$412	\$579	\$579	\$860
2 x 7	\$30	\$40	\$134	\$139	\$172	c/f	c/f	c/f
2 x 9	\$30	\$40	\$152	\$157	\$195	\$390	\$390	\$731
2 x 12	\$30	\$40	\$180	\$185	\$228	\$460	\$460	\$840
2 x 14	\$30	\$40	\$213	\$240	\$296	\$529	\$529	\$944
2 x 16	\$30	\$40	\$329	\$382	\$440	\$607	\$607	\$1,040
2 x 18	\$30	\$40	\$400	\$420	\$493	\$703	\$703	\$1,156
2 1/2 x 7	\$40	\$40	\$205	\$230	c/f	c/f	c/f	c/f
2 1/2 x 9	\$40	\$40	\$238	\$266	\$321	\$584	\$584	c/f
2 1/2 x 12	\$40	\$40	\$283	\$314	\$374	\$673	\$673	\$1,257
2 1/2 x 16	\$40	\$40	\$498	\$557	\$597	\$855	\$855	\$1,607
3 x 7	\$40	\$60	\$200	\$233	\$268	c/f	c/f	c/f
3 x 9	\$40	\$60	\$230	\$263	\$306	\$562	\$668	c/f
3 x 12	\$40	\$60	\$263	\$306	\$364	\$655	\$767	\$1,189
3 x 14	\$40	\$60	\$321	\$458	\$539	\$724	\$863	\$1,346
3 x 16	\$40	\$60	\$483	\$509	\$589	\$820	\$959	\$1,500
3 x 18	\$40	\$60	\$539	\$602	\$698	\$941	\$1,070	\$1,675
4 x 9	\$40	\$70	\$380	\$443	\$562	\$749	c/f	c/f
4 x 12	\$40	\$70	\$455	\$521	\$655	\$858	\$1,027	\$1,667
4 x 14	\$40	\$70	\$549	\$627	\$782	\$961	\$1,141	\$1,872
4 x 16	\$40	\$70	\$635	\$731	\$888	\$1,065	\$1,255	\$2,107
4 x 18	\$40	\$70	\$751	\$845	\$1,012	\$1,184	\$1,374	\$2,312
6 x 10	\$40	\$90	\$607	\$696	\$982	c/f	c/f	c/f
6 x 12	\$40	\$90	\$683	\$769	\$1,065	\$1,336	\$1,564	\$2,611
6 x 14	\$40	\$90	\$822	\$898	\$1,214	\$1,498	\$1,720	\$2,808
6 x 16	\$40	\$90	\$923	\$1,002	\$1,369	\$1,672	\$1,905	\$3,074
6 x 18	\$40	\$90	\$1,027	\$1,123	\$1,526	\$1,971	\$2,181	\$3,395
8 x 10	\$50	\$120	\$810	\$966	\$1,369	c/f	c/f	c/f
8 x 12	\$50	\$120	\$906	\$1,075	\$1,457	\$1,892	\$2,221	\$3,798
8 x 14	\$50	\$120	\$1,058	\$1,222	\$1,629	\$2,090	\$2,388	\$4,091
8 x 16	\$50	\$120	\$1,176	\$1,341	\$1,804	\$2,312	\$2,606	\$4,453
8 x 18	\$50	\$120	\$1,348	\$1,546	\$2,070	\$2,611	\$2,859	\$4,923
10 x 10	\$50	\$150	\$1,068	\$1,275	\$1,870	c/f	c/f	c/f
10 x 12	\$50	\$150	\$1,192	\$1,445	\$2,070	\$2,667	\$3,507	c/f
10 x 14	\$50	\$150	\$1,366	\$1,639	\$2,305	\$2,970	\$3,785	c/f
10 x 16	\$50	\$150	\$1,541	\$1,834	\$2,578	\$3,297	\$4,137	c/f
10 x 18	\$50	\$150	\$1,713	\$2,054	\$2,841	\$3,631	\$4,751	c/f
12 x 10	\$60	\$200	\$1,336	\$1,548	\$2,292	c/f	c/f	c/f
12 x 12	\$60	\$200	\$1,510	\$1,748	\$2,550	\$3,413	\$4,890	c/f
12 x 14	\$60	\$200	\$1,705	\$1,933	\$2,851	\$3,775	\$5,308	c/f
12 x 16	\$60	\$200	\$1,892	\$2,125	\$3,145	\$4,142	\$5,761	c/f
12 x 18	\$60	\$200	\$2,229	\$2,396	\$3,479	\$4,541	\$6,297	c/f
14 x 12	\$60	\$240	\$1,738	\$2,168	\$2,912	\$4,025	\$5,811	c/f
14 x 14	\$60	\$240	\$1,958	\$2,419	\$3,304	\$4,405	\$6,292	c/f
14 x 16	\$60	\$240	\$2,183	\$2,687	\$3,476	\$4,842	\$6,783	c/f
16 x 12	\$60	\$290	\$1,887	\$2,548	\$3,426	\$4,425	c/f	c/f
16 x 14	\$60	\$290	\$2,140	\$2,836	\$3,866	\$4,782	\$7,967	c/f
16 x 16	\$60	\$290	\$2,388	\$3,127	\$4,255	\$5,202	\$8,602	c/f
16 x 18	\$60	\$290	\$2,649	\$3,494	\$4,754	\$5,794	\$9,214	c/f
18 x 12	\$80	\$330	\$2,173	\$2,834	\$4,020	\$5,427	c/f	c/f
18 x 14	\$80	\$330	\$2,421	\$3,150	\$4,460	\$5,958	\$9,824	c/f
18 x 16	\$80	\$330	\$2,765	\$3,461	\$4,916	\$6,431	\$10,525	c/f
18 x 18	\$80	\$330	\$3,054	\$3,873	\$5,379	\$7,087	\$11,433	c/f
20 x 12	\$100	\$360	\$2,596	\$3,254	\$4,923	\$7,297	c/f	c/f
20 x 14	\$100	\$360	\$2,945	\$3,595	\$5,465	\$7,937	\$11,997	c/f
20 x 16	\$100	\$360	\$3,276	\$3,949	\$5,956	\$8,534	\$12,855	c/f
20 x 18	\$100	\$360	\$3,545	\$4,410	\$6,661	\$9,358	\$13,912	c/f
24 x 12	\$100	\$400	\$3,317	\$4,344	\$6,398	\$10,591	c/f	c/f
24 x 14	\$100	\$400	\$3,714	\$4,804	\$6,993	\$11,552	c/f	c/f
24 x 16	\$100	\$400	\$4,131	\$5,265	\$7,562	\$12,529	\$17,938	c/f
24 x 18	\$100	\$400	\$4,531	\$5,776	\$8,291	\$13,275	\$18,980	c/f

H.B. Necks RF & D

Material: SA 105

Size	Lg.	150#	Lg.	300#	Lg.	600#	Lg.	900#	Lg.	1500#	Lg.	2500#
1	9	\$139	9	\$178	9	\$190	9	\$316	9	\$316	9	\$404
1.25	9	\$164	9	\$190	9	\$202	9	\$354	9	\$354	9	\$372
1.5	9	\$177	9	\$202	9	\$228	9	\$392	9	\$392	9	\$693
2	9	\$240	9	\$266	9	\$278	9	\$582	9	\$582	9	\$999
3	9	\$417	9	\$544	9	\$557	12	\$797	12	\$949	12	\$1,442
3	12	\$493	12	\$658	12	\$658	14	\$911	14	\$1,101	14	\$1,645
4	10	\$633	10	\$759	10	\$860	12	\$1,101	12	\$1,341	12	\$1,923
4	12	\$734	12	\$860	12	\$961	14	\$1,265	14	\$1,531	14	\$2,151
6	10	\$772	10	\$1,063	12	\$1,379	12	\$1,746	14	\$2,163	-	c/f
6	12	\$860	12	\$1,189	14	\$1,581	14	\$1,935	16	\$2,378	16	\$3,542
8	10	\$1,078	10	\$1,417	12	\$1,784	14	\$2,492	-	c/f	-	c/f
8	12	\$1,164	12	\$1,581	14	\$1,973	16	\$2,834	16	\$3,074	-	c/f
8	14	\$1,316	14	\$1,758	16	\$2,188	18	\$3,061	18	\$3,416	18	\$5,199
10	12	\$1,392	12	\$1,872	12	\$2,277	14	\$3,466	-	c/f	-	c/f
10	14	\$1,594	14	\$2,125	14	\$2,581	16	\$3,871	16	\$4,655	-	c/f
10	16	\$1,796	16	\$2,378	16	\$2,897	18	\$4,339	18	\$5,149	-	c/f
12	12	\$1,872	12	\$2,328	12	\$2,846	-	c/f	-	c/f	-	c/f
12	14	\$2,125	14	\$2,581	14	\$3,163	16	\$4,921	16	\$6,388	-	c/f
12	16	\$2,366	16	\$2,884	16	\$3,441	18	\$5,477	18	\$6,932	-	c/f
14	12	\$1,961	12	\$2,834	14	\$3,732	16	\$5,275	-	c/f	-	c/f
14	14	\$2,226	14	\$3,163	16	\$4,124	18	\$5,781	-	c/f	-	c/f
16	12	\$2,378	12	\$3,314	14	\$4,276	16	\$5,591	-	c/f	-	c/f
16	14	\$2,694	14	\$3,719	16	\$4,681	18	\$6,199	-	c/f	-	c/f
16	16	\$2,998	16	\$4,162	18	\$5,187	20	\$6,768	-	c/f	-	c/f
18	12	\$2,505	14	\$4,250	14	\$4,820	16	\$6,995	-	c/f	-	c/f
18	14	\$2,834	16	\$4,756	16	\$5,338	18	\$7,742	-	c/f	-	c/f
18	16	\$3,200	18	\$5,351	18	\$5,933	20	\$8,387	-	c/f	-	c/f
20	12	\$2,859	14	\$4,984	16	\$6,477	18	\$9,677	-	c/f	-	c/f
20	14	\$3,288	16	\$5,288	18	\$7,185	20	\$10,588	-	c/f	-	c/f
20	16	\$3,669	18	\$6,021	20	\$7,894	22	\$11,259	-	c/f	-	c/f
24	12	\$3,846	14	\$6,312	18	\$9,184	20	\$14,510	-	c/f	-	c/f
24	14	\$4,276	16	\$6,907	20	\$9,880	22	\$15,496	-	c/f	-	c/f
24	16	\$4,794	18	\$7,970	22	\$10,677	24	\$16,572	-	c/f	-	c/f

Special Facings

Ring Type, Tongue, Groove, Female, Facing						125 (RMS) (AARH)	
Size Range	150-300#	600#	900#	1500#	2500#	Size Range	Unit Price
2"-Smaller	On	\$30	\$46	\$46	\$51	2 1/2 - Smaller	\$13
2 1/2 - 3	A	\$40	\$61	\$66	\$71	3	\$18
4	P	\$51	\$76	\$81	\$89	4	\$20
6	P	\$56	\$81	\$106	\$121	6	\$23
8	L	\$61	\$94	\$111	\$144	8	\$25
10	I	\$68	\$104	\$127	c/f	10	\$30
12	C	\$83	\$111	\$157	c/f	12	\$35
14	A	\$96	\$127	\$182	c/f	14	\$43
16	T	\$109	\$154	\$238	c/f	16	\$48
18	I	\$129	\$180	\$296	c/f	18	\$51
20	O	\$139	\$202	c/f	c/f	20	\$53
24	N	\$162	\$245	c/f	c/f	24	\$61

125 RMS Surfaces will be supplied with a minimum of 80 and maximum of 150 RMS

Standard nozzles are manufactured to comply to ASME Code Section VII Division 1
ISO 9001 Certificate Number 30197

Studding Outlets RF & D

Material: SA105, Flat Bottom, Standard "T"

Size	150#	T	300#	T	600#	T
1	\$137	1.25	\$164	1.50	\$177	1.75
1 1/2	\$162	1.25	\$223	1.75	\$243	1.94
2	\$205	1.50	\$258	1.75	\$283	1.75
3	\$263	1.50	\$352	1.75	\$392	2.00
4	\$347	1.50	\$450	1.75	\$587	2.12
6	\$428	1.75	\$607	1.75	\$946	2.25
8	\$633	1.75	\$817	1.88	\$1,275	2.50

Long Welding Necks RF & D

Material: SA182-F304(L) and SA182-F316(L)

Consult Factory for Pricing

LW NECK & TYPE HB NECK FOOTNOTES

- 1) STANDARD NOZZLES are manufactured to comply to ASME Code Section VIII, Div. 1
- 2) **F.V.C. L.W. Necks and H.B. Necks can be manufactured to Special Bores, Special O.D.s, or longer lengths for additional projection or reinforcement, please call for quotation**
- 3) 150# Type H.B. Necks will be supplied SA105 AS FORGED
300# Type H.B. Necks and up will be supplied SA105-N
For SA105-N 150# Type H.B. Necks use L.W. Neck NORMALIZED EXTRA
- 4) For Type H.B. Neck shorter length use L.W. Neck CUTTING CHARGE
- 5) For Dimensional Data, please see F.V.C., Complete Product catalog
- 6) C/F consult factory
- 7) Consult factory for pricing on nut relief



Products and Services

FVC PRODUCT LINE INCLUDES:

Long Weld Necks	Weld Stubs
Type HB Necks	Studding Outlets
Variable Body Nozzles	Special Blind Flanges
Full Body Nozzles	Special Weld Necks
Super Body Nozzles	Jacket Stubs
Boot/Sump Nozzles	Thimbles
Transition Nozzles	Cylinders
Taper Bore Nozzles	End Caps
Insert Nozzles	Elliptical Manways/Blinds
MSS-SP44 Manways	Oval Manways/Blinds
API-605 Manways	Socal Manways/Covers
Extension Pieces	*Your Special Design

*Expert engineering and technical services available

MOST FVC PRODUCTS CAN BE CONTOURED TO SUIT:

Cylindrical Radius	Insert Type
Spherical Radius	Hillside Fit
Elliptical Heads Dish	Conical Fit
Radius Offset From Centerline	Elbow Fit
	Wrap-Around Fit

FVC PRODUCTS CAN BE MADE IN A VARIETY OF CARBON, ALLOY,
AND STAINLESS STEELS. COMMON MATERIAL GRADES USED AT
FVC INCLUDE:

CARBON STEEL	ALLOY STEEL	STAINLESS STEEL
SA105 (N)	SA350-LF3	SA182-F304 (L)
SA105-HIC	SA 182-F5	SA 182-F304H
SA350-LF1	SA 182-F9	SA182-F316 (L)
SA350-LF2	SA182-F11	SA182-F317
SA266-G R4	SA 182-F 12	SA 182-F321
SA765-G R2	SA 182-F22	SA 182-F347
SA181-CL ()	SA508-GR ()	

Terms and Warranty Statement

- A. Any Sales Tax, Manufacturer's Tax, or Use Tax imposed by Federal, State or Municipal Law is to be added to the prices and assumed by purchaser.
- B. Seller is not responsible for delays, defaults, or damages occasioned by any causes beyond seller's control including, without limitation, governmental actions or orders, embargoes, strikes, fires and floods. In any event, partial deliveries shall be permitted at seller's option.
- C. Cancellations of orders placed with and accepted by us, can be made only with our written consent. Upon request to cancel, we will advise amount of cancellation charges, in addition to charges for dies, work in process, products produced, including machine work, etc., and all liability for raw materials. Should you change your material specification for your order after we have ordered or received the material, you are to assume all liability for the material covered by your initial specification
- D. It is understood that dies, tools, and patterns required to produce the article quoted on shall remain the property of FVC, Inc. Preparation charges or charges for dies, tools, and patterns represents only a portion of cost. Payment of such charge does not give you any right, title, or interest in such dies, tools, or other products of preparation.
- E. Purchaser represents that purchaser is solvent and can and will pay for products delivered to purchaser in accordance with the terms hereof. However, seller retains the right to require full payment in advance if in seller's sole discretion the financial position of the purchaser so requires.
- F. THERE ARE NO WARRANTIES WHICH EXTEND BEYOND THE DESCRIPTION ON THE FACE HEREOF EXCEPTING ONLY THAT EACH PRODUCT SOLD HEREUNDER IS WARRANTED TO BE FREE FROM MANUFACTURING DEFECTS, AND IF DEFECTIVE, WILL EITHER BE REPAIRED OR REPLACED WITHOUT CHARGE OR THE PURCHASE PRICE WILL BE REFUNDED, AT THE OPTION OF SELLER. SELLER MAKES NO OTHER WARRANTY. EITHER EXPRESS OR IMPLIED. SELLER'S LIABILITY IS LIMITED TO THE SALE PRICE OF THE PARTICULAR PRODUCT. IN NO EVENT SHALL SELLER BE LIABLE FOR ANY CONSEQUENTIAL DAMAGES OR FOR EXPENSE OCCASIONED BY THE USE OF DEFECTIVE PRODUCTS. SELLER'S LIABILITIES AS ABOVE SET OUT SHALL NOT BE EXTENDED BECAUSE OF ADVICE GIVEN BY SELLER IN CONNECTION WITH THE DESIGN, INSTALLATION OR USE OF ANY PRODUCT. PURCHASER AGREES THAT IF THE PRODUCTS SOLD HEREUNDER ARE BY PURCHASER RE-SOLD, PURCHASER WILL INCLUDE IN THE CONTRACT FOR RE-SALE, PROVISIONS WHICH LIMIT RECOVERIES AGAINST THIS SELLER IN ACCORDANCE WITH THIS PARAGRAPH.
- G. Claims for shortages must be filed within ten days of receipt of shipment.
- H. We assume no responsibility if the manufacture and sale to you of the items specified by you is an infringement of patent rights of other persons, you assume responsibility for and will protect us from such infringement liability, except as to our own manufacturing equipment and processes.
- I. Stenographic or clerical errors are subject to correction.
- J. Deferred deliveries are subject to FVC, Inc. written approval.
- K. Purchases from us may not be returned without our written consent.
- L. These terms and conditions shall control in any contract resulting from or arising out of this quotation, price sheet, or acknowledgment, regardless of printed terms, conditions or provisions found in responses hereto or documents giving rise hereto, all of such printed matters incorporated therein being deemed waived insofar as the same differ from these terms and conditions, unless such differing terms, conditions or provisions shall be specifically asserted for inclusion in written form other than printing and be specifically accepted by seller as a change in these terms and conditions by express reference in writing. The applicability of this paragraph is an express condition to any contract being formed between us.
- M. Catalog product presentations including catalog dimensions, designs and specifications are representative of product availability at time of publication only. Actual geometry dimensions and designs are subject to designs and manufacturing changes without notice.
- N. Material quoted as being available from stock is normally available for immediate shipment but subject to prior sale.
- O. The above and foregoing terms and conditions are the final expressions of the terms and conditions of the contract which may be or is formed between us and they are intended also as a complete and exhaustive statement of the terms and conditions of such agreement.
- P. The prices are/or may be subject to a surcharge to customers, who, by reason of current or prior trade or business practices or course of dealings with FVC have increased or may increase marketing or distribution costs.



Forged Vessel Connections, Inc.